



# FTV #10-32 & 1/8" NPT SPOOL VALVES

## FTV Series Toggle Valves

### 2-Position, #10-32 & 1/8" NPT Ports

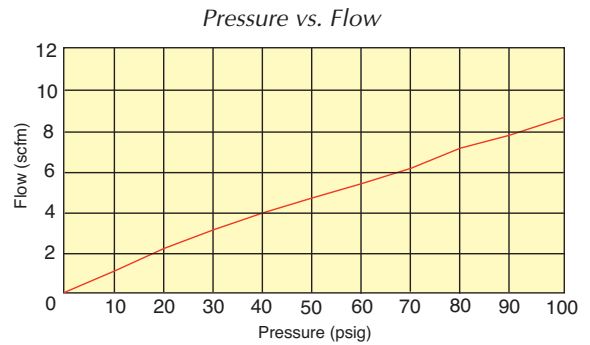
3-way valves have a supply, outlet and exhaust port. When the toggle is in the "on" position air flows from the inlet to the outlet and the exhaust port is blocked. Moving the toggle to the "off" position closes the inlet and opens the outlet to an exhaust port which vents the outlet to atmosphere. 3-way toggle valves may have a poppet or spool and by movement of the toggle may either be 2-position or have a momentary actuation.

**Medium:** Air

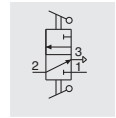
**Force to Rotate Toggle:** 16 oz. nominal

**Mounting:** 15/32-32 thread. Nuts and lockwashers furnished.

**Materials:** Brass body, Nitrile seals, stainless steel stem and spring



- Compact design
- ENP steel or plastic toggles



### options (suffix)

ENP Plating "-ENP" • FKM Seals "-V"

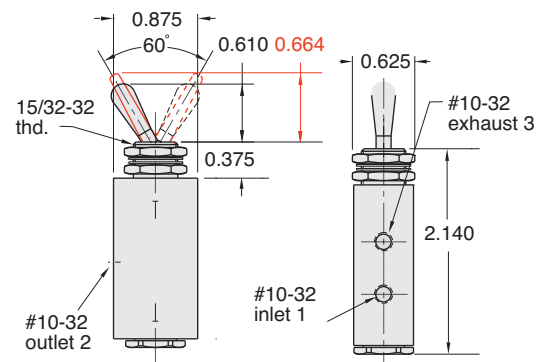
### 3-Way #10-32 Valves



(FTV-3 shown)

Port(s)	Toggle	3-Way
#10-32	ENP Steel	<u>FTV-3</u>
#10-32	Plastic	<u>FTV-3F</u>

**Air Flow:** 6 scfm @ 50 psig; 10 scfm @ 100 psig



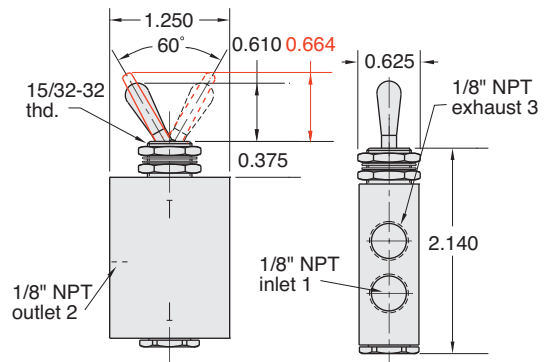
### 3-Way 1/8" NPT Valves



(FTV-3FP shown)

Port(s)	Toggle	3-Way
1/8" NPT	ENP Steel	<u>FTV-3P</u>
1/8" NPT	Plastic	<u>FTV-3FP</u>

**Air Flow:** 6.5 scfm @ 50 psig; 10.5 scfm @ 100 psig

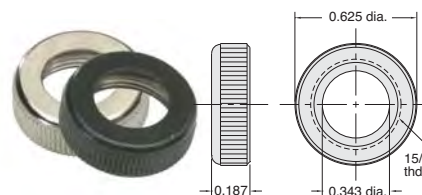


## Same-Day Shipping

### Huge Inventory, Same-Day Shipping

Hundreds of miniature cylinders, control valves, electronic valves, fittings and other products in stock and ready to ship the same day! Order by 2:30 p.m. EST and items ship the same day. Competitive pricing! Exceptional quality and reliability!

### 15/32 Panel Mounting Nut



Brass with black or bright nickel finish

Part No.	Finish
<u>11406-1</u>	Black
<u>11406-2</u>	Bright